



TECHNICAL INFORMATION SHEET

NE7-H2S Electrochemical Hydrogen Sulfide (H₂S) Gas Sensor

Nemoto & Co., Ltd.
Sensor Division
4-10-9, Takaido-higashi,
Suginami-ku, Tokyo,
JAPAN

General Description

The NE7-H2S is a new electrochemical gas sensor with 3 electrodes for the detection of Hydrogen Sulfide (H₂S) in a variety of gas detection applications. Exhibiting high performance with long-term stability, this standard size (32mm dia, 7-type) sensor is suitable for portable Fixed Gas Detection heads used in a wide variety of gas detection applications.

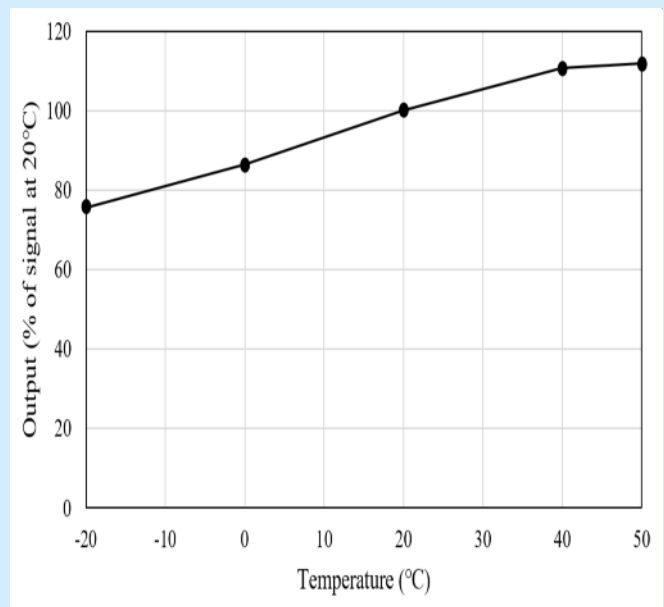
Nemoto's porous electrode technology enables accurate gas detection with high sensitivity. The mechanical design of the sensor gives optimum gas diffusion characteristics, and the hermetically sealed enclosure prevents costly electrolyte leakage.



Specifications:

Detectable Gas	Hydrogen Sulfide (H ₂ S)
Detection Range	0-200 ppm
Maximum overload	1000 ppm
Output Current	400 +/- 100 nA/ppm
Reproducibility (same day)	+/- 2%
Zero in clean air at 20°C	????????????????????????????????
Long term drift:	
Zero	< +/- 1 ppm / Year
Span	< 10% Signal / Year
Response time (T _{90%})	< 35 seconds
Temperature drift (zero)	< 2ppm (-20°C to +50°C)
Warranted lifetime	> 2 years
Temperature Range:	-20°C to +50°C
Humidity range (constant)	15-90% RH
Humidity range intermittent)	0-99% RH
Pressure	0.9 - 1.1 atm
Recommended load resistor	10 Ω
Storage time	6 months
(Without compromising lifetime)	

Temperature response



Test data on drift, temperature performance, cross-sensitivities, linearity etc.... are available on the Characterisation Document.

Nemoto has a policy of continuous development and improvement of its products. As such the specification for the device outlined in the data sheet may be changed without notice

NE7-H2Sppp, issue 1, July 2021

Contact Information:

Europe & Africa Area

Asia Area

Americas Area

Website

www.nemoto.eu

www.nemoto.co.jp

www.nemoto.eu

email

eusensor@nemoto.co.jp

sensor2@nemoto.co.jp

nasensor@nemoto.co.jp

Telephone

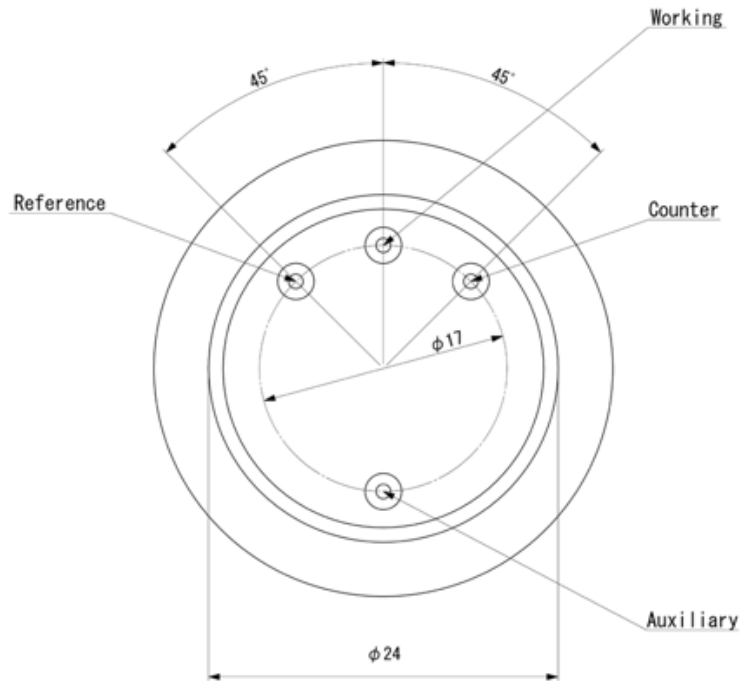
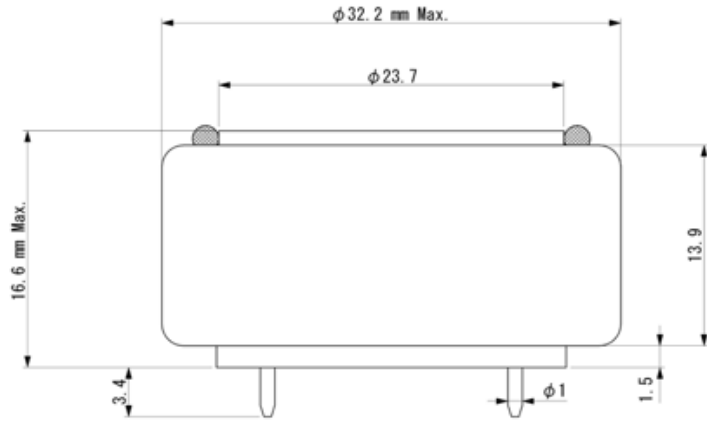
+44 (0)1799 543968

+81 3 3333 2760

+1 604 761 7363



Dimensions:



Tolerances : ± 0.15

1

Test data on drift, temperature performance, cross-sensitivities, linearity etc.... are available on the Characterisation Document.

Nemoto has a policy of continuous development and improvement of its products. As such the specification for the device outlined in the data sheet may be changed without notice

NE7-H2S.ppp, issue 1 Nov 2017

Contact Information:

Europe & Africa Area

Asia Area

Americas Area

Website

www.nemoto.eu

www.nemoto.co.jp

www.nemoto.eu

email

eusensor@nemoto.co.jp

sensor2@nemoto.co.jp

nasensor@nemoto.co.jp

Telephone

+44 (0)1799 543968

+81 3 3333 2760

+1 604 761 7363