



TECHNICAL INFORMATION SHEET

NCP-300S Pellistor Gas Sensor

Nemoto & Co., Ltd.
Sensor Division
 4-10-9, Takaido-higashi,
 Suginami-ku, Tokyo,
 JAPAN

General Description

The Nemoto NCP-300S is a catalytic (pellistor) type flammable gas sensor supplied as a matched pair of pellistor elements mounted on a single header and protected by a metal mesh enclosure and can.

The sensor detects and measures the presence of flammable gases and vapours in air, in the range 0-60%* of the Lower Explosive Limit (LEL) of the gas or vapour being measured. Designed as a lower cost alternative to the twin-header NCP-300 device, the NCP-300S may be used as the sensing platform in fixed flammable gas detection systems.

The NCP-300S exhibits excellent long term zero and sensitivity stability and a high level of resistance to catalytic poisons. The highly automated manufacturing procedure employed by Nemoto results in a repeatable reliable sensor which, unlike similar devices, requires no trimming resistor to enable the detector to be matched with a compensator.



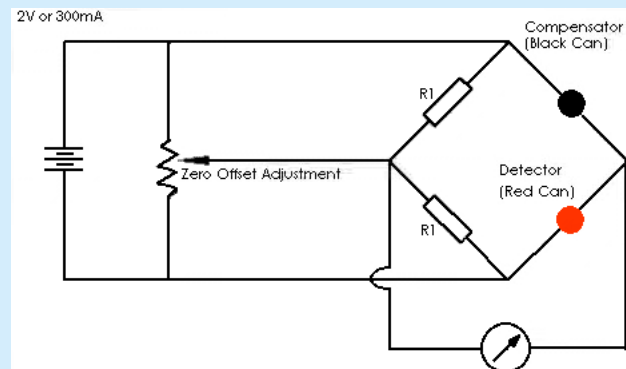
Specifications:

Recommended Voltage:	2.V +/- 0.1V
Current Drawn:	300 +/- 20mA
Zero Offset:	0mV +/- 30mV
Minimum Signal Sensitivity:	40mV/% CH4/Air
Range:	0-60% LEL*
Accuracy:	+/- 1%LEL(CH4)
Maximum Long Term Drift:	
Span:	< +/- 1% Signal / Month
Zero:	< +/- 0.5 mV/ Month
Response Time:	T50: 3 sec T90: 8 sec
Temperature Range:	-20°C to +60°C
Temperature Drift:	(-20°C to +60°C): < +/- 2%LEL
Humidity:	0-100%RH, non-condensing
Humidity Response:	+/- 2%LEL
Linearity:	Effectively Linear to 60% LEL *

*Note: The linearity / range of the sensor can be extended to 0-100% LEL with careful design of the instrument. Consult Nemoto if this is required.

Recommended Circuit:

Note: The value R1 is arbitrary, since the function of R1 is to balance the bridge. 1K is suggested.



Test data on drift, poisoning, temperature performance, linearity are available on the Characterisation Document.

Nemoto has a policy of continuous development and improvement of its products. As such the specification for the device outlined in the data sheet may be changed without notice.

ncp-180s.ppp, issue 5, Feb 2021

Contact Information:

Europe & Africa Area
 Asia Area
 Americas Area

Website

www.nemoto.eu
 www.nemoto.co.jp
 www.nemoto.eu

email

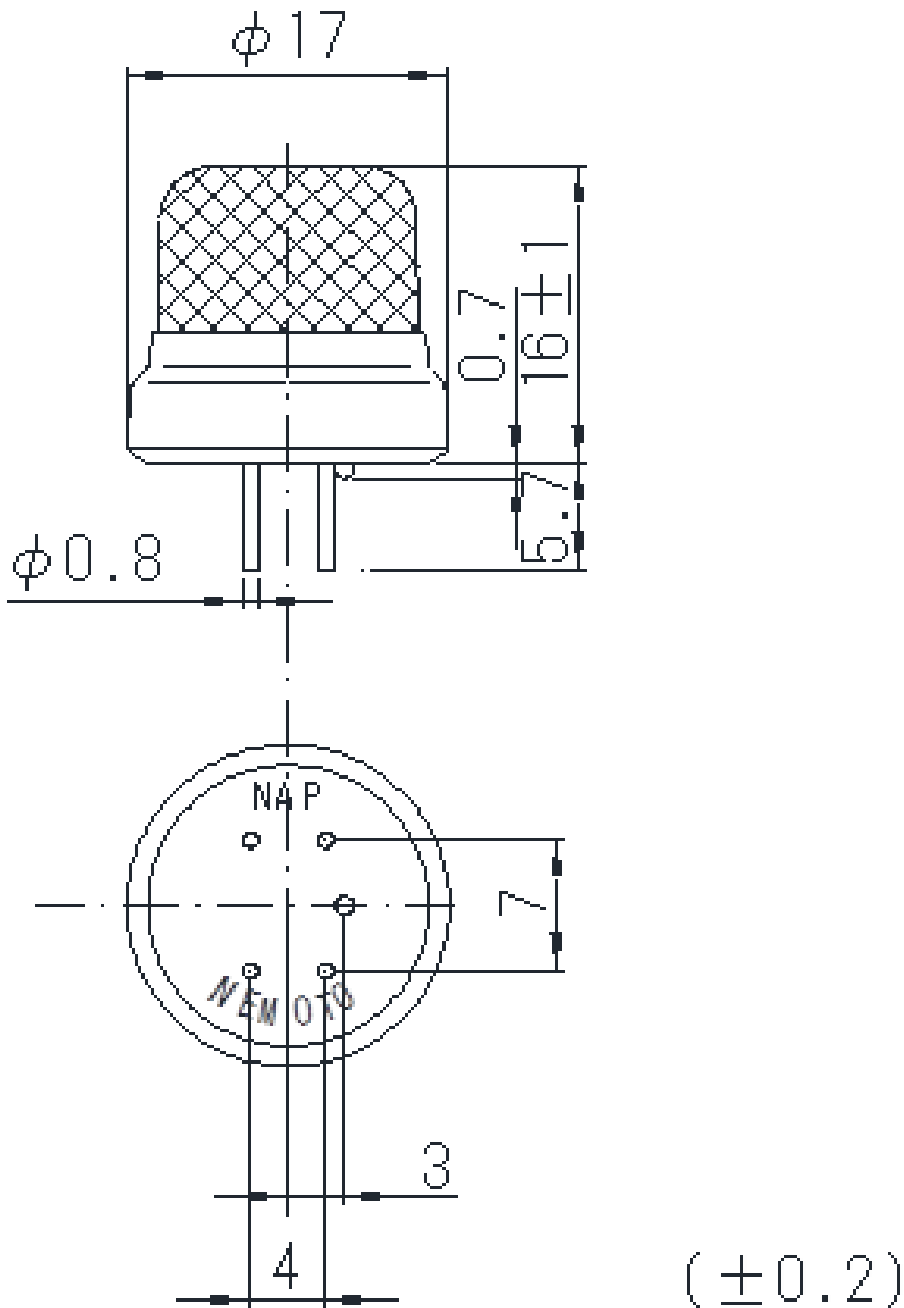
eusensor@nemoto.co.jp
 sensor2@nemoto.co.jp
 nasensor@nemoto.co.jp

Telephone

+44 (0)1799 543968
 +81 3 3333 2760
 +1 604 761 7363



Dimensions



Test data on drift, poisoning, temperature performance, linearity are available on the Characterisation Document.

Nemoto has a policy of continuous development and improvement of its products. As such the specification for the device outlined in the data sheet may be changed without notice

ncp-180s.ppp, issue 5, F e b 2021

Contact Information:

Europe & Africa Area

Asia Area

Americas Area

Website

www.nemoto.eu

www.nemoto.co.jp

www.nemoto.eu

email

eusensor@nemoto.co.jp

sensor2@nemoto.co.jp

nasensor@nemoto.co.jp

Telephone

+44 (0)1799 543968

+81 3 3333 2760

+1 604 761 7363