



TECHNICAL INFORMATION SHEET

NAP-55A Catalytic Gas Sensor, For Flammable (Explosive) Gases

Nemoto & Co., Ltd.
Sensor Division
4-10-9, Takaido-higashi,
Suginami-ku, Tokyo,
JAPAN

General Description

The NAP-55A Gas Sensor is a low-cost Catalytic Flammable Gas Sensor designed for the detection and measurement of Methane or Natural Gas in the range 0-50% LEL. Developed primarily for use in Residential Gas Detectors, the NAP-55A has also been found to be useful in a wide variety of applications where reliable detection of gas leaks and other gas hazards is required at low cost.

The NAP-55A uses the superior catalytic "pellistor" detection principle often used in high quality Industrial Gas Detectors. It hence has many benefits over other low cost gas sensor types



Specifications:

Detectable Gas	All Flammable Gases (Optimised for the Detection of Methane / Natural Gas)
Recommended Voltage:	2.5V +/- 0.2V
Current Drawn:	170 +/- 10mA
Zero Offset:	0mV +/- 35mV
Signal Sensitivity:	37-53mV for 1% CH ₄
Range:	0-60% LEL
Repeatability:	+/- 0.5mV
Maximum Long Term Drift:	
Span:	< +/- 2% Signal / Month
Zero:	< +/- 2 mV / year
Response Time:	T ₉₀ : <10 sec
Temperature Range:	-20°C to +60°C
Humidity:	0-95%RH, non-condensing
Linearity:	Effectively Linear to 60%LEL
Expected Lifetime	5 years

- **Monitors flammability directly**
- **Unaffected by humidity**
- **Very low long term drift**
- **Excellent resistance to catalytic poisons**
- **Single header design for ease of use**
- **Superb temperature stability**
- **Resistant to shocks and vibration**
- **Linear output to 50% LEL**

Test data on drift, poisoning, temperature performance, linearity are available on the Characterisation Document.

Nemoto has a policy of continuous development and improvement of its products. As such the specification for the device outlined in the data sheet may be changed without notice

nap-55a.ppp, issue 4, August 2023

Contact Information:

Europe & Africa Area

Asia Area

Americas Area

Website

www.nemoto.eu

www.nemoto.co.jp

www.nemoto.eu

email

eusensor@nemoto.co.jp

sensor2@nemoto.co.jp

nasensor@nemoto.co.jp

Telephone

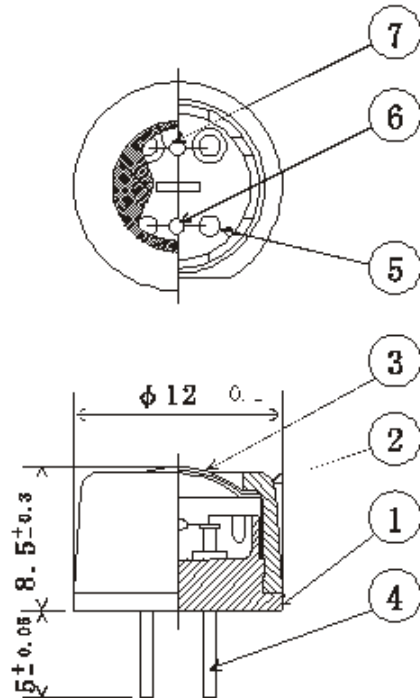
+44 (0)1799 543968

+81 3 3333 2760

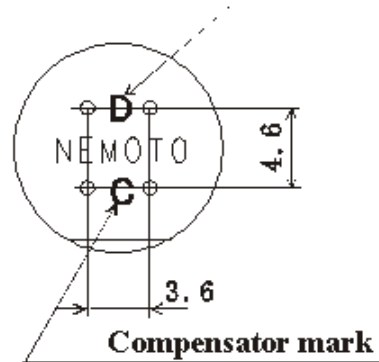
+1 604 761 7363

Dimensions, Materials and Recommended Circuit

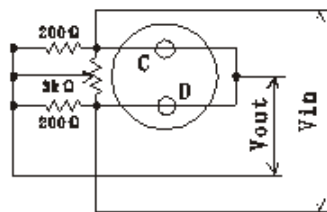
Sensor : NAP-55A



Detector mark



Bottom view



Measuring Circuit

No.	Parts names	Material	Remarks
1	Mount	Nylon 66	Glass 20% contained
2	Cap	Nylon 66	Glass 20% contained
3	Mesh	SUS 316	#100, Double mesh
4	Pin	Pure Ni	φ 0.8
5	Coil	PPT	φ 30μm
6	Compensator		Nemoto & Co., Ltd
7	Detector		Nemoto & Co., Ltd

	APPROVED	CHECKED	DESIGNED	DRAWN	MATERIAL	QTY	SCALE
THIRD ANGLE PROJECTION	TITLE				DATE	DRG NO	
	NAP-55A				DEC, 25, 1993	G-01-04-143	
	NEOTO & CO., LTD						

Test data on drift, poisoning, temperature performance, linearity are available on the Characterisation Document.

Nemoto has a policy of continuous development and improvement of its products. As such the specification for the device outlined in the data sheet may be changed without notice

Nap-55a.ppt, issue 4, September 2023

Contact Information:

Europe & Africa Area

Asia Area

Americas Area

Website

www.nemoto.eu

www.nemoto.co.jp

www.nemoto.eu

email

eusensor@nemoto.co.jp

sensor2@nemoto.co.jp

nasensor@nemoto.co.jp

Telephone

+44 (0)1799 543968

+81 3 3333 2760

+1 604 761 7363