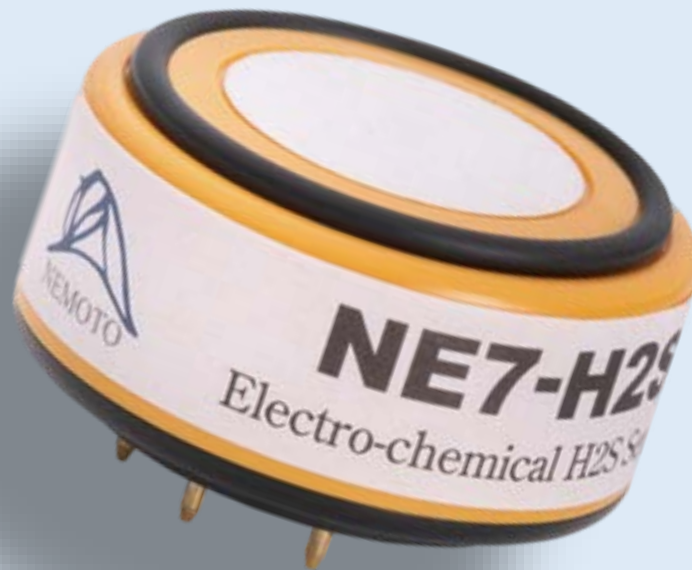




**Nemoto & Co., Ltd**  
**Sensor Division**

4-10-9 Takaido-Higashi  
Suginami-ku  
Tokyo 168-0072  
Japan

Web: [www.nemoto.eu](http://www.nemoto.eu)  
E-mail: [sensor2@nemoto.co.jp](mailto:sensor2@nemoto.co.jp)



## **Technical Information and User Manual**

### **NE7-H2S-S Electrochemical Hydrogen Sulfide (H<sub>2</sub>S) Gas Sensor (for low range detection)**

For Industrial Applications

Apart from pages 4 and 5 (Specification and Dimensions sections), the data in this document does not constitute a specification but is intended as a guide, informing the instrument designer of the performance characteristics of the sensor which were observed by Nemoto sensor scientists.

It should be read in conjunction with the official datasheet for the device, which includes the full technical specification for the NE7-H2S-S Gas Sensor.

Nemoto has a policy of continuous development and improvement of its products. As such the specification and data outlined in this document may be changed without notice



## INTRODUCTION

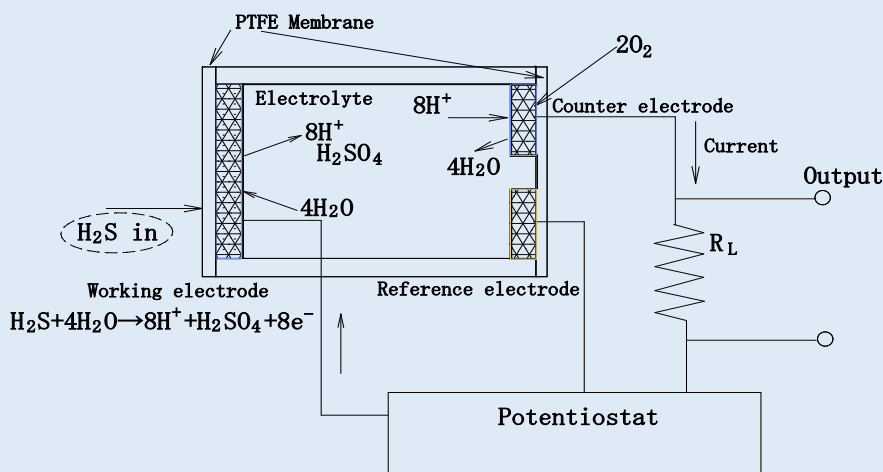
Nemoto & Co. Ltd was established in 1941 and continues to develop unique technologies for Safety, Security and Health markets worldwide. Using our unique experience of fine chemical preparation and printing, we were able to enter the gas sensor market in 1979 with a range of high-quality hot-wire type sensors (pellistors). Nemoto is now one of the world's leading manufacturers of chemical sensors and has so far delivered over 30-million devices to the market.

As a result of three years' development at our Tokyo R&D centre, we released our first electrochemical gas sensor in 2000.

The NE7-H2S-S Gas Sensor is a 3-Electrode electrochemical gas sensor designed for the detection and measurement of hydrogen sulfide in the lower ppm range 0-10ppm, in a wide range of industrial and commercial safety applications where accurate detection of H<sub>2</sub>S at low ppm and sub ppm levels, is required. By adhering to industry standards for size and connection orientation, the NE7-H2S-S can be retrofitted easily to existing product designs.

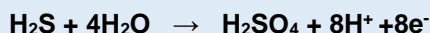
By using our experience of design for manufacture and our high volume production facilities in Japan and China, we have successfully reduced the cost of the NE7-H2S-S whilst being able to maintain the highest performance quality.

## PRINCIPLES OF OPERATION



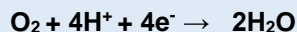
The NE7-H2S-S consists of 3 porous noble metal electrodes separated by an acidic aqueous electrolyte, housed within a plastic (PPO) enclosure. Gas enters the cell via a gas phase diffusion barrier (capillary) and a charcoal based filter that removes unwanted gases which might interfere with the sensors performance or give a false signal. An electrolyte reservoir ensures an excess of electrolyte is available at all times, and the sensor is vented to ensure that the internal and external pressure of the sensor is always in equilibrium.

In operation, gas enters the cell via the capillary and filter, and comes into contact with the 'working' electrode. Any hydrogen sulfide present undergoes the following (oxidation) reaction:



The H<sub>2</sub>SO<sub>4</sub> generated simply becomes part of the electrolyte, whilst the hydrogen ions (H<sup>+</sup>) migrate into the electrolyte within the cell. The electrons (e<sup>-</sup>) generated at the working electrode are collected by the external circuit via a metal strip in contact with it, in the form of a small (nA) electric current.

The reaction at the working electrode is balanced by a reciprocal (reduction) reaction at the 'counter' electrode, using Oxygen from the surrounding atmosphere.



The electrons consumed in this reaction are supplied by the external circuit via a metal strip in contact with the counter electrode.



Thus water is consumed whilst Hydrogen ions are generated at the working electrode, whilst the water is re-created and hydrogen ions are consumed at the counter electrode. At the same time, the reaction at the working electrode generates electrons, whilst the reaction at the counter electrode consumes electrons. By connecting the working and counter electrodes together via a special circuit, the flow of electrons between the two electrodes may be measured as a nA level current signal proportional to the ppm concentration of hydrogen sulfide.

The 'reference' electrode maintains the healthy operation of the cell. It is surrounded by electrolyte, sees no gas and no current is allowed to be drawn from it. Its electrochemical potential hence always remains constant at a level known as the "rest air potential" and this is used to regulate the potential of the working electrode, regardless of the current it is generating during operation. The use of a reference electrode in this way (i.e. three-electrode operation) helps to extend the working range of the sensor, improves linearity and results in a number of performance benefits compared with similar sensors working with 2-electrodes only.

## **FEATURES**

Electrochemical gas sensors have the following superiority to conventional semiconductor type and hot-wire type gas sensors.

- **Linear output in proportion to gas concentration**
- **High reproducibility**
- **Highly gas specific**
- **Unaffected by humidity**
- **Stable output for long periods**
- **Low power consumption because no heater is used (can be battery operated)**
- **Small and lightweight (can be used in portable devices)**
- **No mechanical structure so highly resistant to shocks and vibrations.**

The NE7-H2S-S has been developed from our accumulation of technologies in production of hot-wire type gas sensors, long research experience into catalysts, fine printing, and assembling of sensors. The NE7-H2S-S is compact but has high sensitivity, long life, and leak-free performance even under severe operating conditions.

### **Air vent**

The electrolyte used for chemical sensors is very hygroscopic, i.e. it has affinity for water, and its volume varies depending on ambient temperature and humidity. This variation causes pressure inside the sensor to rise and fall. In the worst case, the electrolyte may leak out of the sensor and damage the circuitry around it.

To prevent this, the NE7-H2S-S utilizes an air vent capability. This maintains equilibrium between internal and external pressures and allows the sensor to be used in any orientation and under high temperature and humidity conditions.

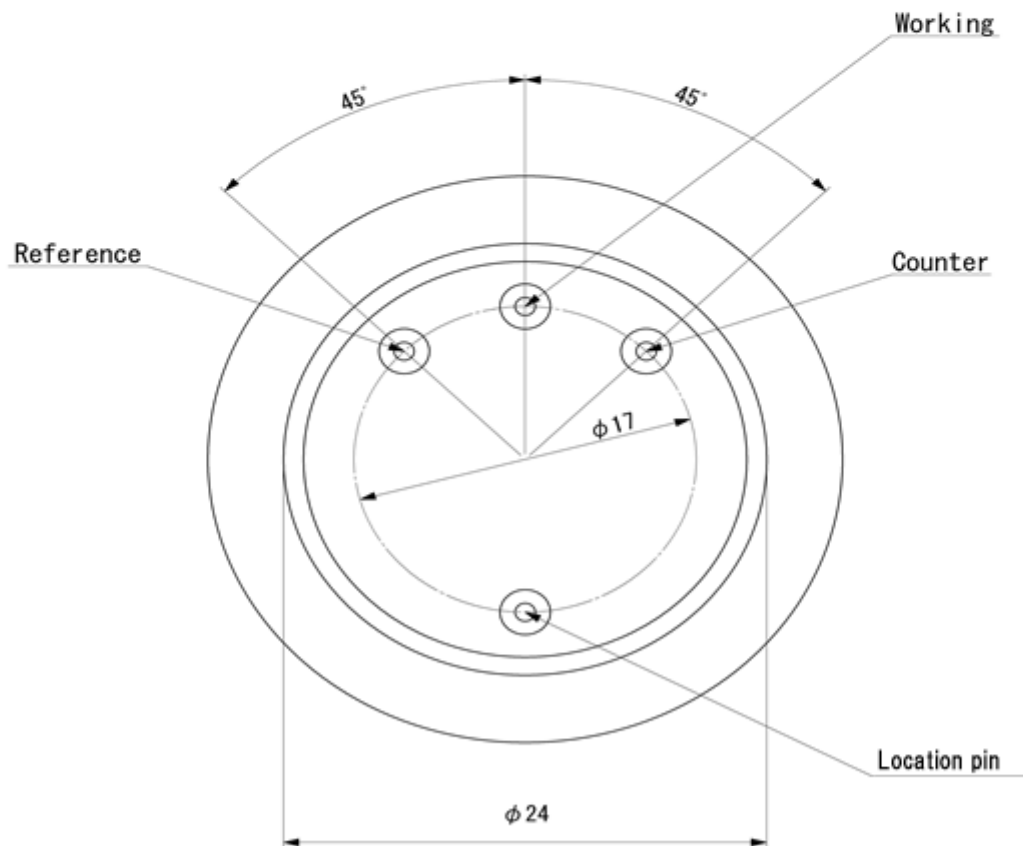
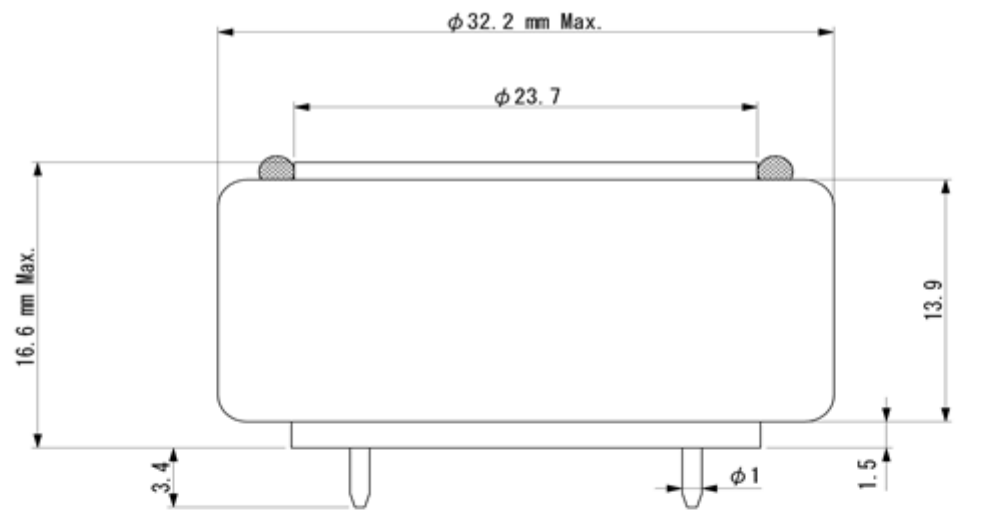


**SPECIFICATIONS:**

<b>Output signal</b>		3000 +/- 700nA/ppm H <sub>2</sub> S
<b>Zero offset in clean air (@20°C)</b>		0ppm +/- 0.1ppm equivalent
<b>Response time (T90)</b>	(T <sub>90</sub> )	< 35sec.
<b>Repeatability</b>	(Same day measurement)	< +/- 2%
<b>Long Term Stability</b>	Zero offset	< +/- 0.1ppm equivalent/year
	Sensitivity to H <sub>2</sub> S	< +/- 30% signal/year
<b>Temperature dependence</b>	(Zero offset swing)	< +/- 0.5 ppm (-20°C to +50°C)
<b>Temperature range</b>	In Service	-20°C to +50°C
	Recommended in Storage	-0°C to +20°C
<b>Humidity range</b>	In Service	15 – 90%RH (non-condensing)
	Recommended in Storage	15 – 90%RH (non-condensing)
<b>Pressure range in service</b>		0.9 – 1.1 atm
<b>Detection range</b>		0 - 10ppm
	Maximum Overload Range	20ppm
<b>Recommended load resistor</b>		10Ω
<b>Recommended maximum storage time</b>		6 months
<b>Warranty</b>	Against faulty workmanship or materials	12 months



## DIMENSIONS:

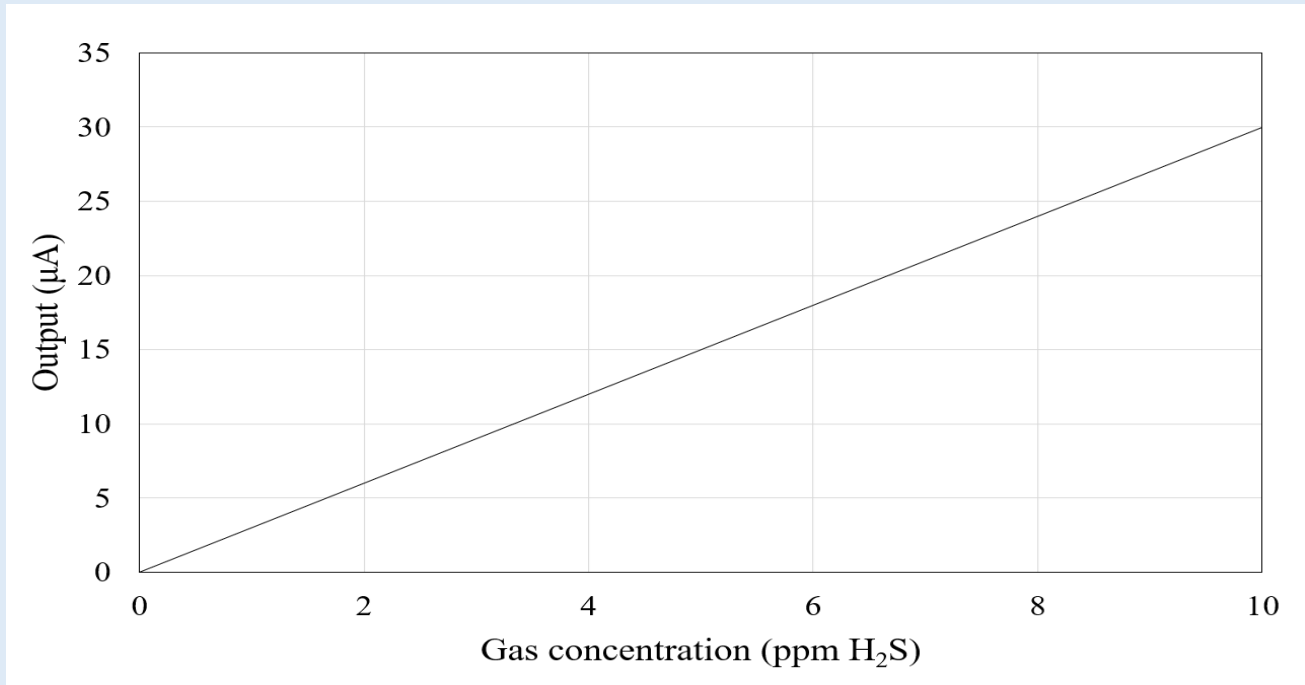


Tolerances :  $\pm 0.15$



## PERFORMANCE DATA

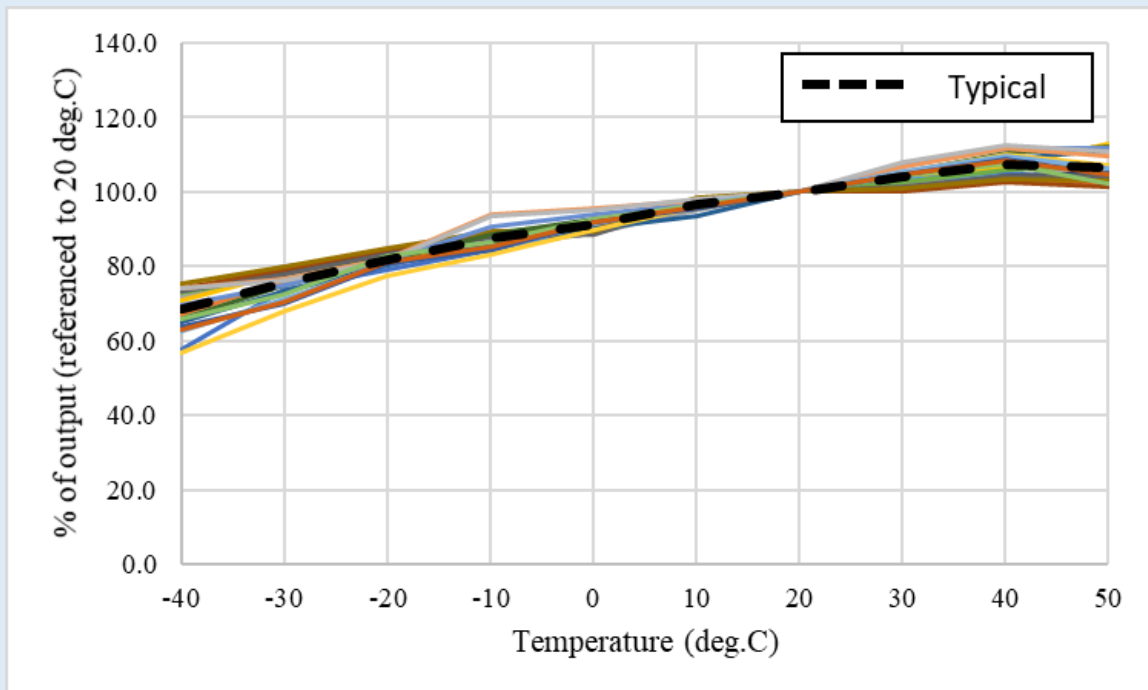
### 1) Linearity and Sensitivity



### 2) Uncompensated Temperature Dependence:

#### Sensitivity (Span)

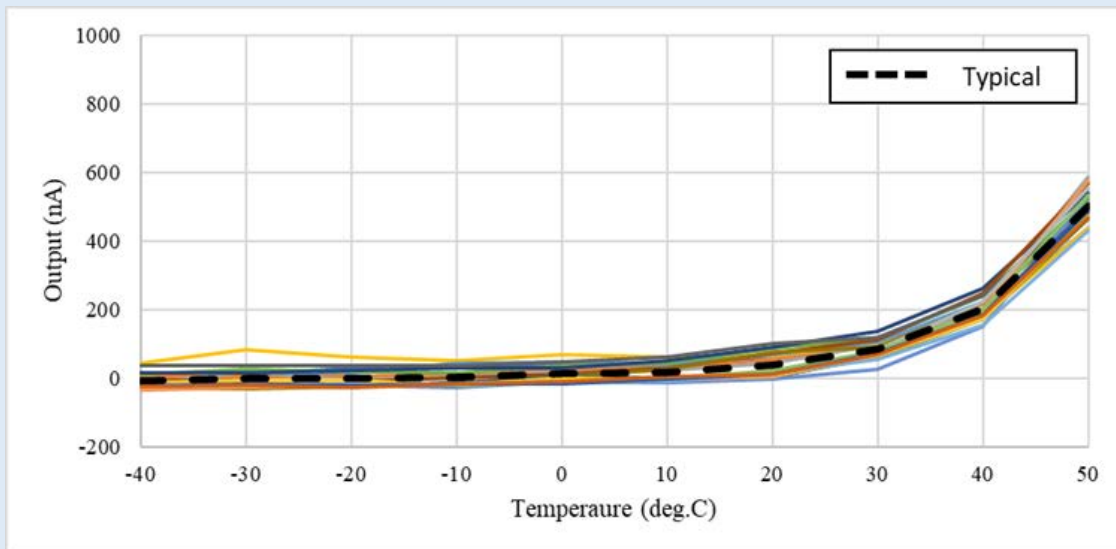
The following graph illustrates the typical effect of temperature on the **output signal (span)** of the NE7-H2S-S, for a sensor calibrated at 20°C:





## Zero Offset

The following graph illustrates the typical effect of temperature on the **Zero Offset** of the NE7-H2S-S, for a sensor calibrated at 20°C:



## 3) Cross Sensitivities:

The following table gives cross sensitivity information for a variety of commonly encountered gases.

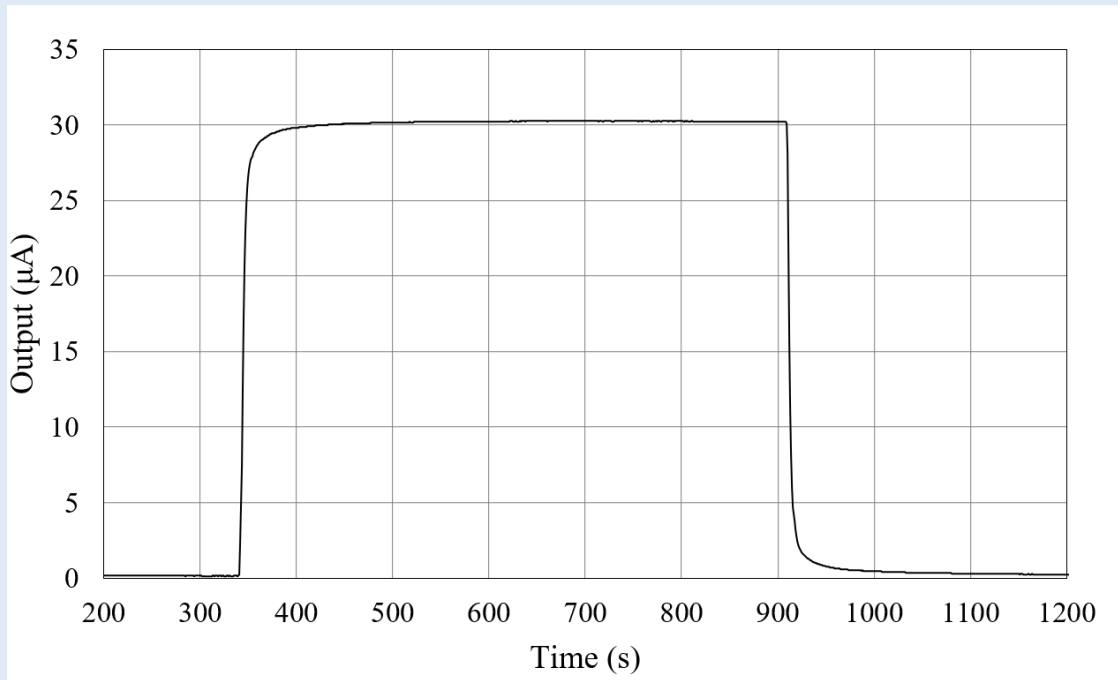
Test Gas	Tested concentration (ppm)	H <sub>2</sub> S equivalent reading (ppm)	% cross-sensitivity
Hydrogen Sulphide	10	10	100
Carbon monoxide	100	< 1.5	< 1.5
Hydrogen	1000	<5	< 0.5
Methane	5000	0	0
Carbon dioxide	5000	0	0
Sulphur dioxide	10	<3	<30
Nitric oxide	35	<2	<6
Nitrogen dioxide	30	<-2	-5 to +10
Ethanol	1000	< 50*	< 5
Isobutane	2500	0	0
Ammonia	100	0	0
Acetone	1000	< 0.2*	< 0.02
Isopropyl Alcohol	1000	< 50*	< 5
Dichloromethane	100	0	0
Toluene	100	0*	0
Heptane	100	0*	0

\* Exposure time: 30 mins



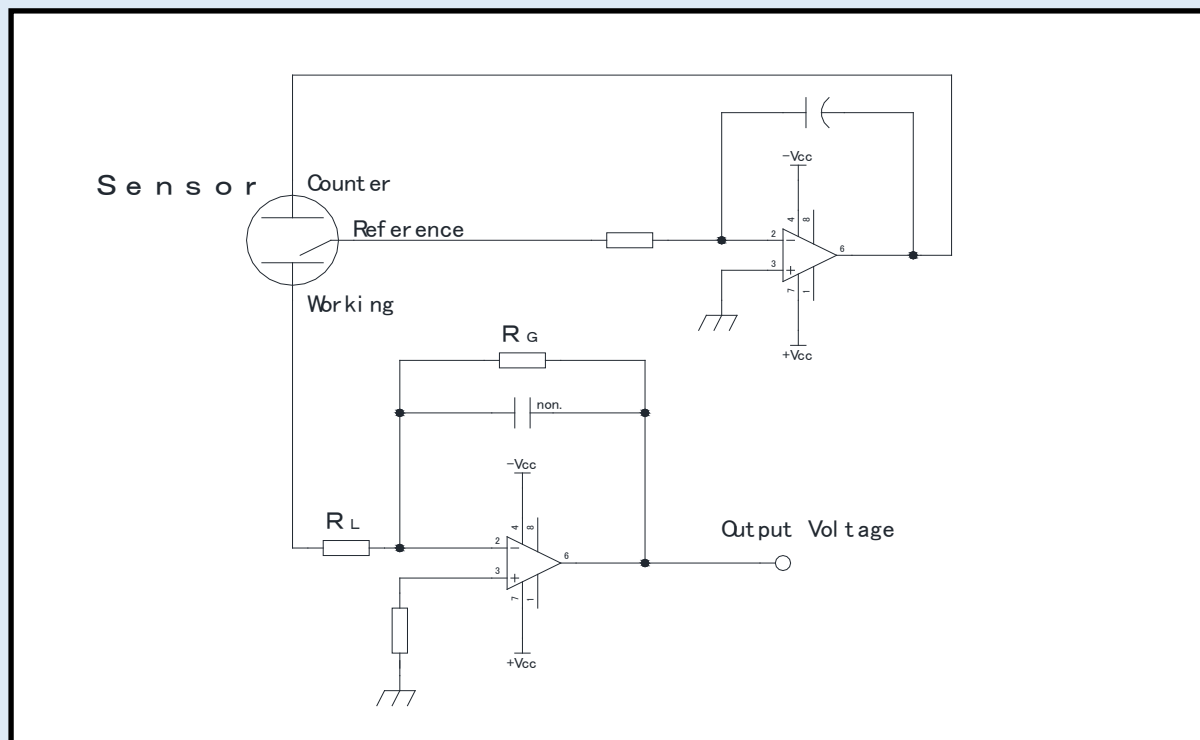
### 3) Response and Recovery Characteristic

The following is a plot of typical responses and recovery for exposure to hydrogen sulfide at 10ppm:



### NOTES FOR CIRCUIT DESIGN

The basic measuring circuit for all 3-electrode electrochemical gas sensors is shown below:







- In this arrangement, the output voltage =

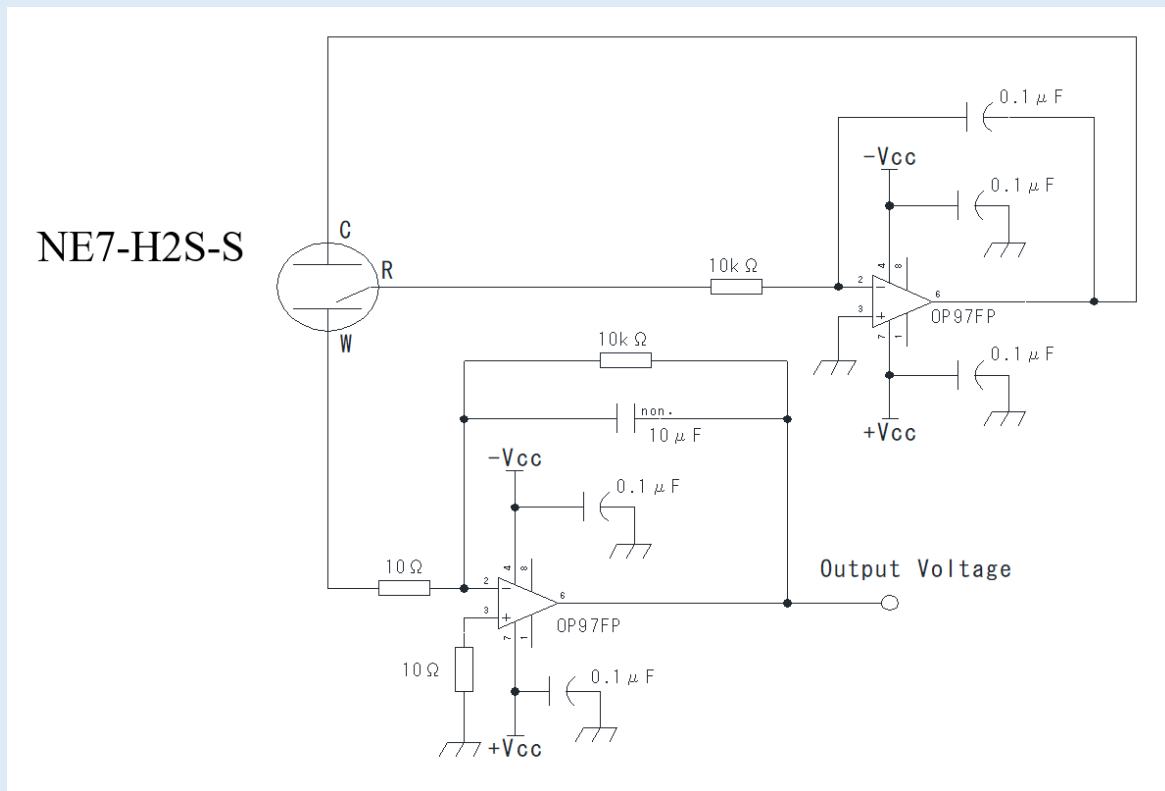
$$\text{Gas concentration (ppm)} \times \text{Cell Output (A)} \times R_G (\Omega)$$

- So if  $R_G$  is 10k, cell output is 3000nA/ppm and gas concentration is 100ppm then

$$V_{OUT} = 100 \times (3000 \times 10^{-9}) \times (10 \times 10^3) = 3.0V$$

- $R_L$  is the cell load resistor (typically 7.5-33 $\Omega$ ). Speed of response can be increased by reducing the value of  $R_L$ , but signal noise may be increased as a consequence. The recommended values are shown on sensor datasheets.
- Amplifiers should be high quality precision low input offset types, e.g. OP97 or similar.
- Some sensors require temperature compensation circuitry. A simple compensation network can be incorporated into this circuit by replacing  $R_G$  with a network including a thermistor.. Alternatively, temperature compensation may be undertaken in software using a lookup table or a best fit algorithm.

The circuit Nemoto employs for all its internal testing of NE7-H2S-S is shown below:



Nemoto recognises that the companies who use its gas sensing devices are themselves experts in circuitry design, often with more expertise than Nemoto in this area. The information given here is hence for initial guidance only, and Nemoto does not insist that instrument designers reproduce our circuitry guidance precisely. If the instrument designer deviates from this guidance significantly, however, Nemoto advises that we should be consulted to ensure that the proposed circuit design will function correctly.

Failure to adhere to the recommended circuitry outlined in this document without consultation with Nemoto may result in the suspension of the warranties that apply to the device.



## **GENERAL NOTES ON HANDLING, MANUFACTURE AND INSTRUMENT DESIGN**

### **1) Long-term drift of gas sensitivity**

All electrochemical gas sensors lose sensitivity over time due to small changes on the surface of the working electrode, reducing its oxidation capability. To reduce this, the NE7-H2S-S uses a newly developed electrode catalyst that will not deteriorate by more than 5% / year.

Because the NE7-H2S-S has a very high signal output at 3000nA/ppm, the overall decay of the signal level over time is more than for other, higher range sensors at <30% signal /year. we recommend that this lowering of sensitivity over time is taken into account when designing application circuits

### **2) Environmental effects on gas sensitivity**

Due to the hygroscopic nature of the electrolyte used in electrochemical sensors, moisture is absorbed from or released to the surrounding atmosphere. In high humidity, moisture is absorbed causing an increased sensitivity. In low humidity moisture is released back to the atmosphere and the sensitivity decreases. conventional electrochemical gas sensors show annual variation of gas sensitivity as much as 10 ~ 20%.

The NE7-H2S-S utilises an advanced electrolyte management design and, combined with the unique electrode catalyst structure, these changes can be greatly reduced. Under normal operating conditions, gas sensitivity should change by no more than  $\pm 5\%$  of the output value. The NE7-H2S-S is designed so that all changes due to moisture uptake/release are completely reversible.

If the gas intake area of the sensor is blocked with water drops or other liquid, gas cannot enter the sensor. The NE7-H2S-S is fitted with an integral hydrophobic barrier to prevent this, but we recommend the use of additional membrane barriers if the sensor in highly condensing RH conditions.

H<sub>2</sub>S gas is slightly denser than air, H<sub>2</sub>S detecting devices should be installed no more than 5ft from the floor and preferable on the lower parts of walls – not on ceilings.

If the sensor is to be used in more irregular atmospheres, please contact us for assistance.

### **3) Storage of sensors**

Electrochemical sensors should be stored in a clean air under room temperature, preferably 0°C ~ 20°C and in non-condensing RH conditions. The maximum storage period would be 6 months after delivery. For sensors stored for more than 6 months, the life in service will be shortened by the excess storage period. Unlike semiconductor type or hot-wire type gas sensors, the gas sensitivity of electrochemical gas sensors will change as time passes regardless of whether sensor has been used or not.

### **4) Mounting of sensors**

Electrode pins must be connected correctly to ensure operation.

If a thermistor is used for temperature compensation, it must be located near the sensor and away from heat sources such as transformers.

The NE7-H2S-S can be mounted in any orientation.

NE7-H2S-S connection pins cannot be soldered as excess heating may cause the deformation of the housing and eventually leakage of electrolyte.



## 5) Calibration and gas testing

Calibration of detectors or densitometers should be done after the output value has been stabilized in clean air.

Evaluation of gas sensitivity should be made in clean, humidified, air. When a test gas is blown directly to the gas intake area, higher gas sensitivity may be observed. It is therefore best to test and calibrate gas detection instruments and sensors in diffusion mode. This can be achieved by using a suitable test housing where a low flow rate is used (<1l/min) and where the air is agitated to ensure equal gas diffusion throughout.

## 6) Other

Unless otherwise advised by Nemoto, voltage should not be supplied directly to the electrode pins.

Do not bend the pins.

Do not apply more than 5 Kg/cm<sup>2</sup> of force to the sensor.

Take care not to block the gas intake area as it may prevent gas entering the sensor.

Never put foreign material in the gas intake area as it may cause the electrolyte leakage.

Do not expose the sensor to excess vibration or shock.

If the sensor housing appears damaged, do not use the sensor.

After the sensor is exposed to high concentration gas for long periods, the output signal may require time to recover to normal operation.

Do not blow organic solvents, paints, chemical agents, oils, or high concentration gases directly onto sensors.

Do not disassemble the sensor as this may cause electrolyte leakage.

## DEFINITIONS

**Baseline / Baseline shift:** Baseline means the output level in clean air. The output current value at 20°C would be less than 70nA, but this tends to increase as the ambient temperature rises more than 30°C. The Baseline shift means this variation of the output level, i.e. a maximum of 600nA would be put out at 50°C. This Baseline shift should be taken into account to optimise overall accuracy. In this manual, the output values are calculated to be equivalent to H<sub>2</sub>S gas concentrations.

**Gas sensitivity / Output signals:** Using the NE7-H<sub>2</sub>S-S, 3000 ± 700nA is generated at 1ppm of H<sub>2</sub>S gas. For instance, the generated current value will be about 30μA at 10ppm of H<sub>2</sub>S gas (10ppm x 3000nA). This generated current is generally recorded as a voltage produced by a Current – Voltage converting circuit as illustrated in our recommended circuit, as the conversion is done through a resistor of 10 KΩ.

**Response time (T<sub>90</sub>):** This is the time taken to reach to 90% of the maximum output value in clean air.

**Repeatability:** This is the maximum variation of output signals when tests are repeated under the same measuring conditions (temperature, humidity, gas concentration etc.). The repeatability of NE7-H<sub>2</sub>S-S is ± 2%, and this means that all of the test results would fall in the range of 98% ~102%.

**Temperature dependence:** All electrochemical sensors are affected by changes in the ambient temperature and the output increases as the ambient temperature rises. This is caused by the rate of oxidation reaction on the surface of the catalyst, the dispersibility of the gas in the capillary, and the thermal effects on the mobility of ions in the electrolyte. This temperature dependency can be compensated for relatively easily by using a NTC thermistor, or in software.